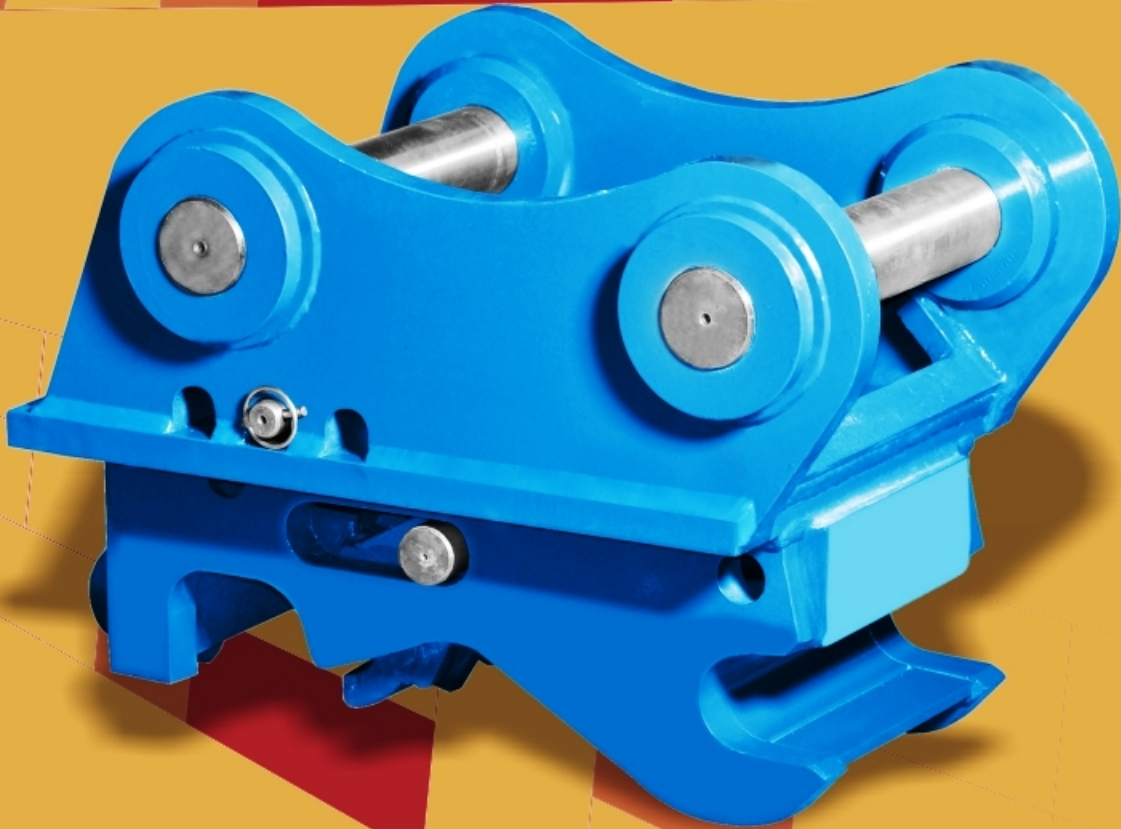




NCM-SHOAVA

Engineers Pvt. Ltd.



45 MINUTES TO 45 SECONDS

Hydraulic Quick Coupler

Design Patent (Applied for No :- 815/MUM/2010)

With the Earthmoving Industry growing fast in India, it has become necessary to upgrade the Machines to achieve versatility and to complete project in stipulated time frame. Gone are the days when Excavator was used only for digging with a bucket. It is very common nowadays that one Excavator has two or more attachments like Bucket, Rock-Breaker, Combi-Cutter, Shear, Rotary Drum Cutter, Clam Shell Bucket etc.

NCM Quick Couplers are designed to facilitate changeover of attachments on Excavators. The Coupler is actuated hydraulically with a cylinder and it is possible to detach an existing attachment and couple another by the Operator seated in the cabin.

HardOx® Steel
used in high wear areas
for strength and durability



Regd. Office & Works :
 Plot No. 10, Industrial Area, Rau 453 331
 District Indore (MP) INDIA



NCM-SHOAVA

Engineers Pvt. Ltd.

Technical Specification	NQC-020-Series
Overall dimension	870 * 557 * 550
Operating pressure	210 bar
Operating weight	377 kg.
Required oil flow	10 - 20 lpm
Available Clamping Range	450 to 490 mm
Suitable Machine	20 - 25 ton
Clamping Force	1020 kgf
Pin dia	80 mm

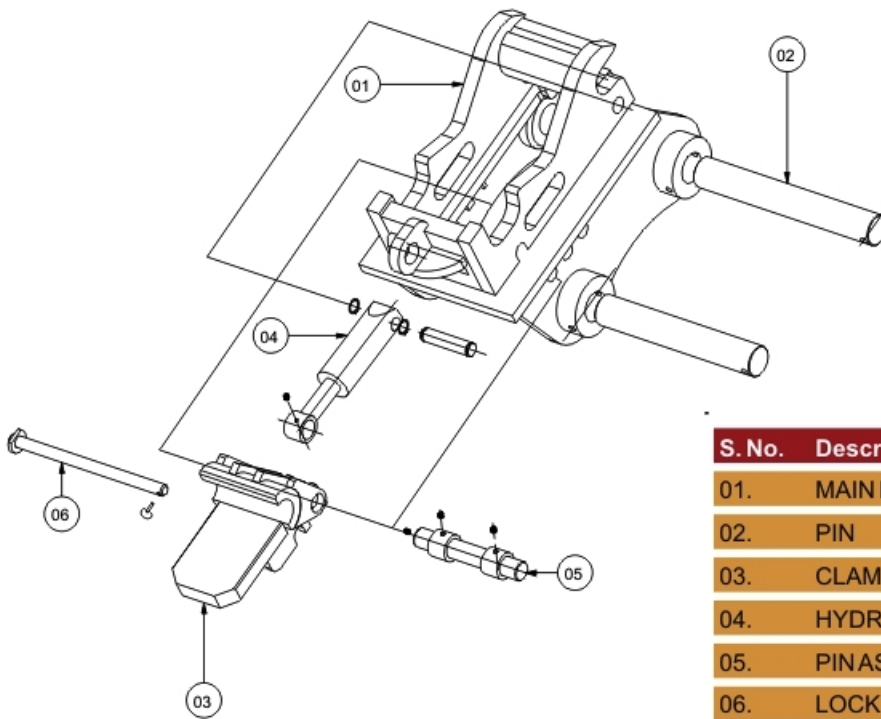
Benefits

1. Change over time reduced from 45 Minutes to 45 Seconds
2. Reduced damages to the pins and bushes
3. Reduced effort for the operator and helper
4. Increases the versatility of the Equipment
5. Adds safety on field

Specific Applications

1. Trenching/Pipeline Projects
2. Foundations and footings
3. Rock Quarry
4. Road Projects

Parts View



S. No.	Description
01.	MAIN BODY ASSEMBLY
02.	PIN
03.	CLAMPING ATTACHMENT ASSY.
04.	HYDRAULIC CYLINDER
05.	PIN ASSEMBLY
06.	LOCK PIN

Dealer's Details



Telephone
 +91 731 2856093,
 2857045-46

Fax
 +91 731 2857482

Email
 ncmshoava@ncm.co.in

Website
 www.ncm.co.in